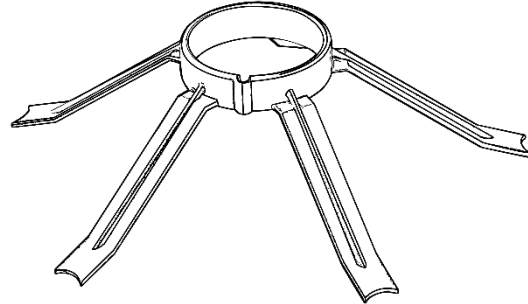


Description

RockStar™ by Oresome Products is an equilateral pentagram-shaped booster spider designed to centrally locate and lock a booster in the hole, in a range of diameters between Ø62 to 127mm.

RockStar™ has over 38% more mass than a comparable competitor – potentially a stronger and more reliable alternative.

RockStar™ is made in Australia in virgin polypropylene, with anti-static additive.



Application

Simply snap RockStar™ onto the booster (a groove is generally provided on the booster for this purpose). The reinforced legs with recessed slots make the spider fasten tightly and keep the primer up hole during explosive pumping. When pushing the assembly up, the interference fit of the spiders' legs will lock into the sides of the hole and secure the booster in place.

RockStar™ is known to suit iterations of Orica StopePrime™ 250g Booster and Dyno Nobel RingPrime® 250g Booster. Other booster types may be supported – please contact Oresome Products for more information.

Cross reference

Below is a table of possible cross-references to similar spiders:

Oresome Part#	Orica Part#	Dyno Nobel Part#
3-088209	1000268	LO 8001030

Recycling

RockStar™ may be recycled with other polypropylene products if necessary.



Ordering

Name	Oresome Item#	Size	QTY
RockStar™ BOX	3-088209	Ø62-127	42
RockStar™ CARTON	3-758162	Ø62-127	504
RockStar™ ECO-CARTON	3-238896	Ø62-127	294

Disclaimer

The information contained within this report is for general information only and correct at time of writing. Subject to any rights that cannot be excluded by law, neither Oresome Products nor its related bodies corporate are liable for or in connection with any loss or damage suffered by you or any other person arising directly or indirectly from use of any information within this report. This includes but is not limited to loss or damage which may arise as a result of your reliance on the information contained within this report. You must not copy, circulate, transmit or otherwise divulge the contents of this report (or any part or parts of them) to any person without the prior written consent of Oresome Products Pty Ltd (ABN 24160854544)

Packaging

RockStar™ is packaged in a cardboard box with up to 504 units. Each box is 0.66 x 0.50 x 0.47m and 9.0kgs approximately (maximum box size).

Storage

RockStar™ should be stored in a dry storage area.

Contact

Oresome Products Pty Ltd
PO Box 4350, Victoria Park WA 6979,
Australia
PH: +61 448 511 889
E: info@oresomeproducts.com



SCAN FOR INFO

Disclaimer

The information contained within this report is for general information only and correct at time of writing. Subject to any rights that cannot be excluded by law, neither Oresome Products nor its related bodies corporate are liable for or in connection with any loss or damage suffered by you or any other person arising directly or indirectly from use of any information within this report. This includes but is not limited to loss or damage which may arise as a result of your reliance on the information contained within this report. You must not copy, circulate, transmit or otherwise divulge the contents of this report (or any part or parts of them) to any person without the prior written consent of Oresome Products Pty Ltd (ABN 24160854544)